

# SERVICE MANUAL



AM/FM STEREO RECEIVER  
WITH RCA-9050 WIRELESS  
REMOTE CONTROL

# RS-9040

( EUROPE )



## SPECIFICATIONS

RCA-9050  
Remote Control

43-function,  
wireless remote control

### POWER AMPLIFIER SECTION

Minimum RMS sine wave power per channel within the stated  
bandwidth at no more than the stated  
distortion and with an 8Ω load ..... 80Watts  
Power Bandwidth ..... 40Hz ~ 12.5kHz  
Total Harmonic Distortion ..... 0.05%  
I.M. Distortion ..... 0.05%  
Speaker Damping ..... > 20

### PREAMPLIFIER SECTION

Frequency Response  
Phono (RIAA) ..... ±1dB  
AUX (20Hz ~ 20kHz) ..... ±1dB  
Input Sensitivity and Impedance  
Phono ..... 2.5mV/50kΩ  
Tape Monitor 1,2 ..... 150mV/50kΩ  
AUX/CD ..... 150mV/50kΩ  
Phono Maximum Input Capability ..... 150mV

### Graphic Equalizer

63Hz .....	±10dB
250Hz .....	±10dB
1kHz .....	±10dB
4kHz .....	±10dB
16kHz .....	±10dB
Loudness Contour (100Hz/10kHz) .....	+8dB/ +4dB
Hum and Noise (IHF Short Circuit, A Network)	
Phono .....	70dB
Tape Monitor 1,2 .....	90dB
AUX/CD .....	90dB
Source Direct (AUX) .....	95dB

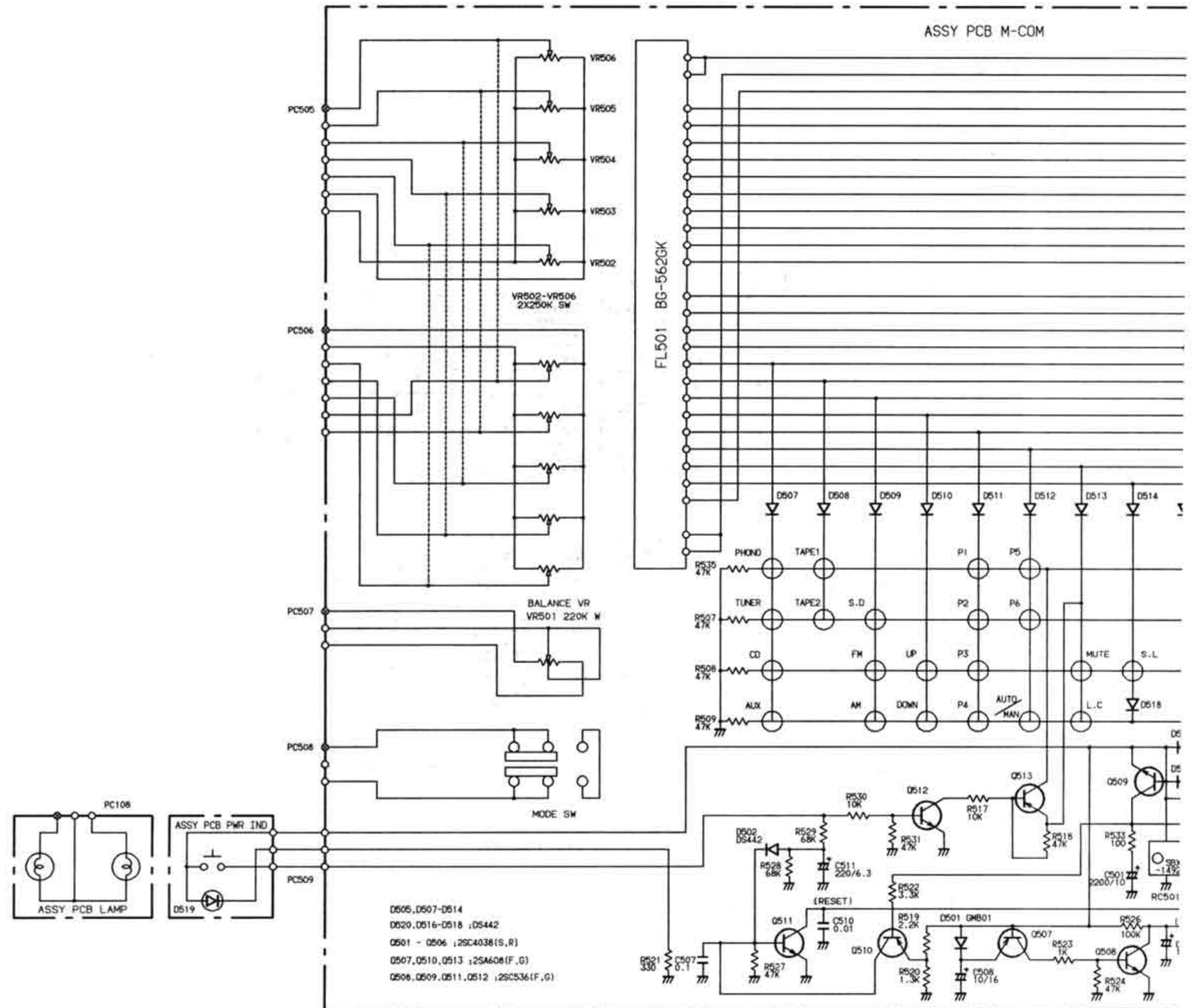
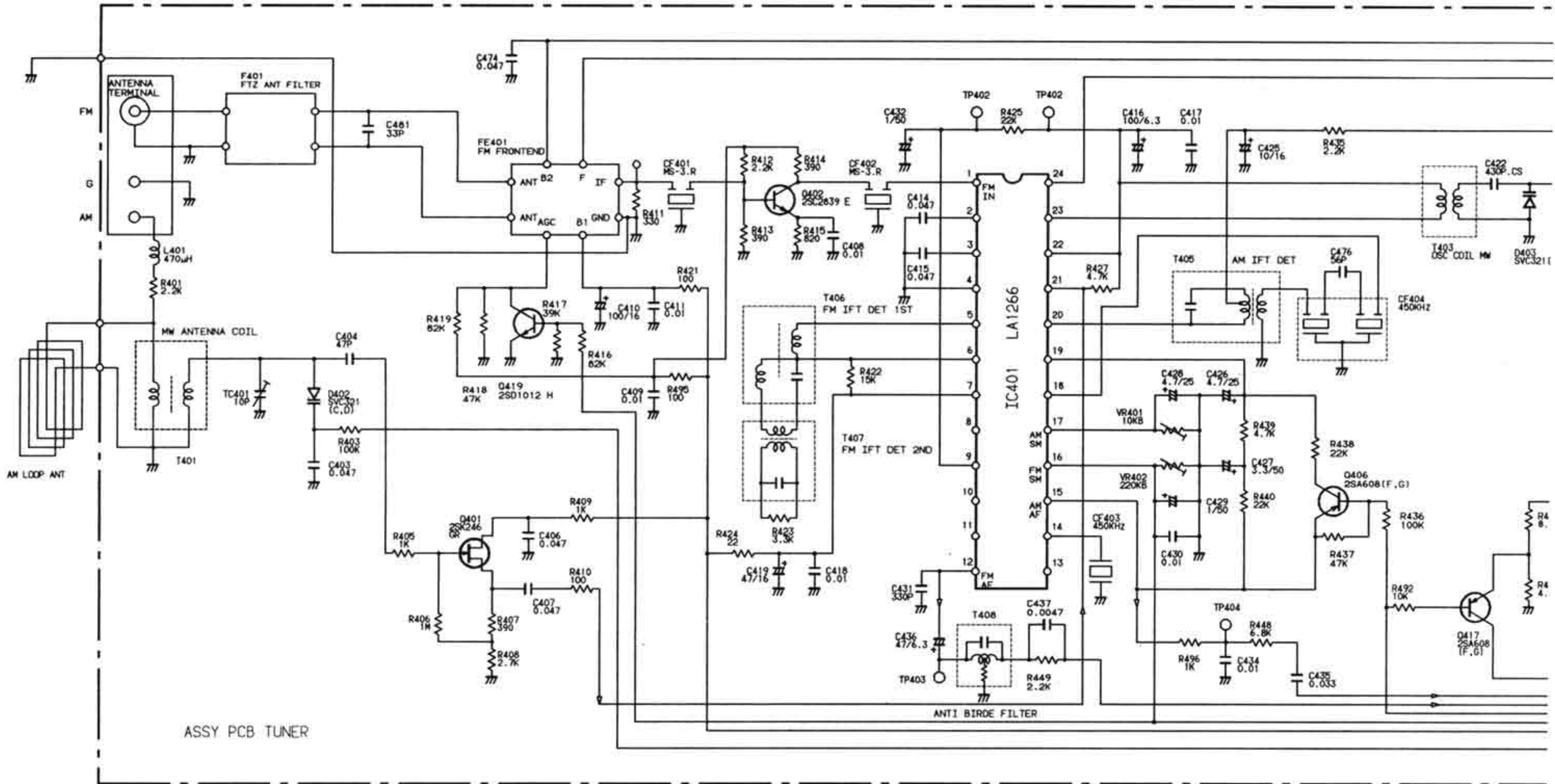
### FM SECTION

Usable Sensitivity	
Monaural .....	0.9μV/10.3dBf
46dB Quieting Sensitivity	
Monaural .....	3.8μV/22.8dBf
Stereo .....	35μV/42.1dBf
Signal-to-Noise Ratio	
Monaural .....	70dB
Stereo .....	65dB

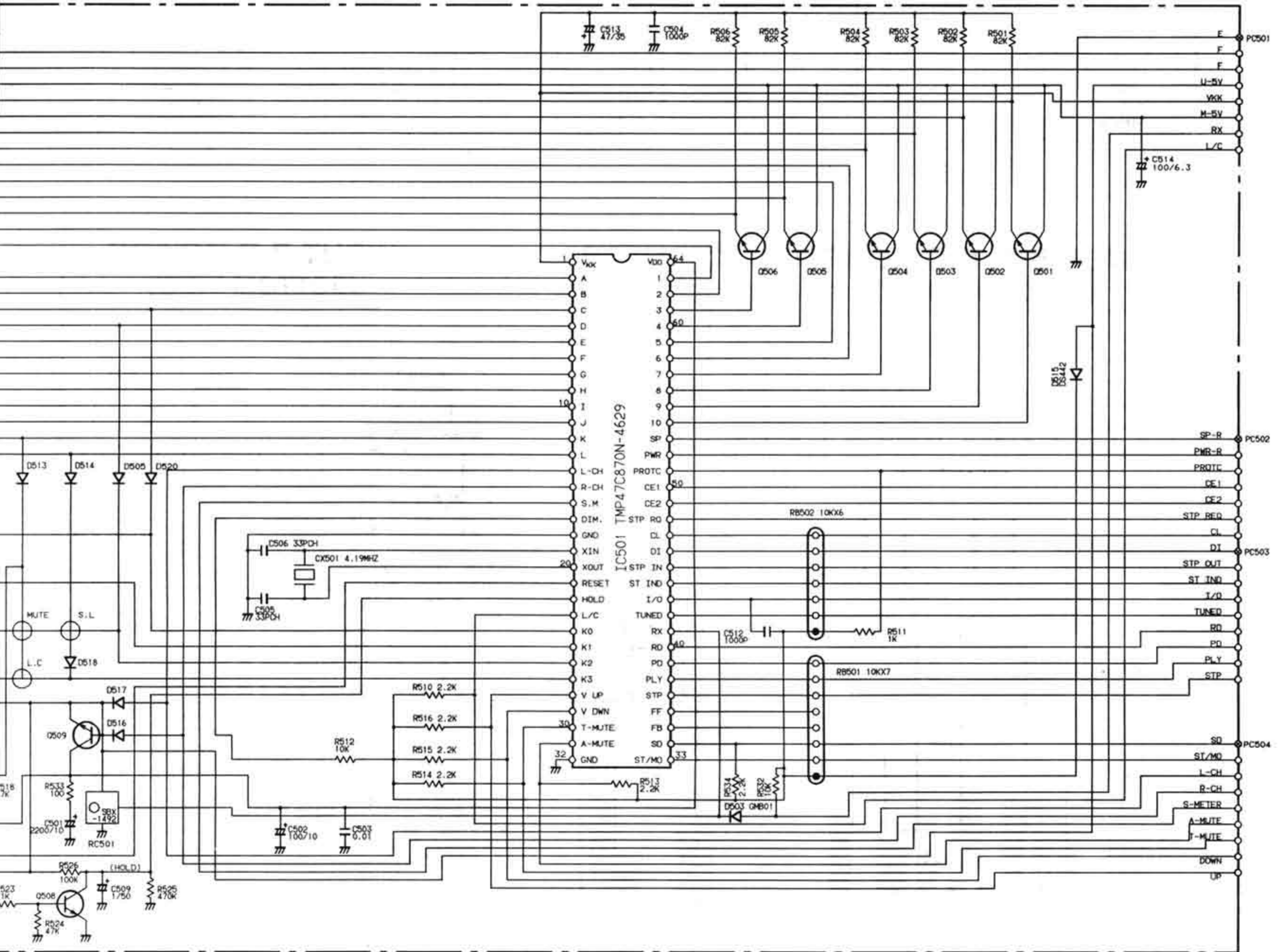
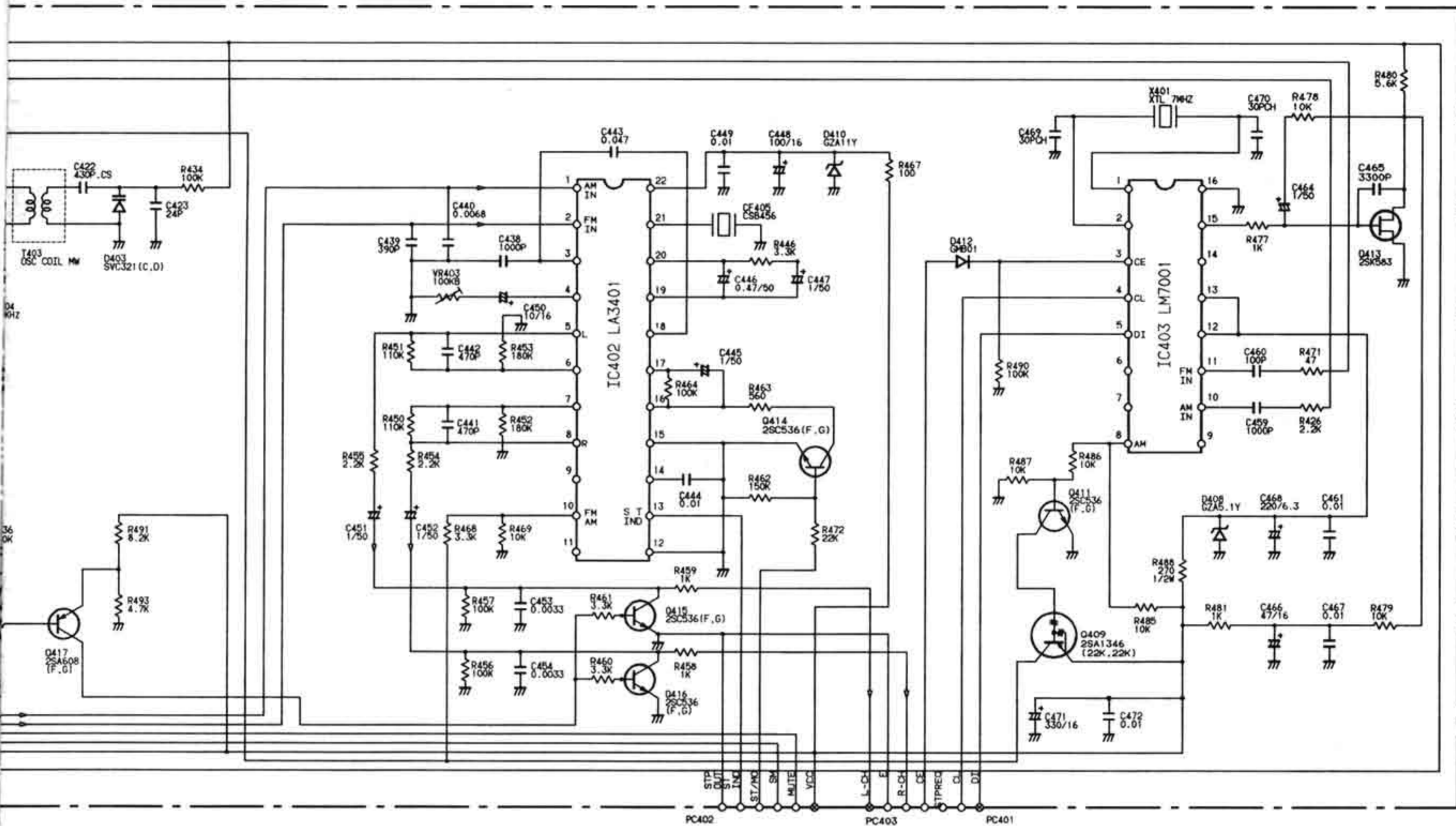
— Specifications and design are subject to change without notice. —

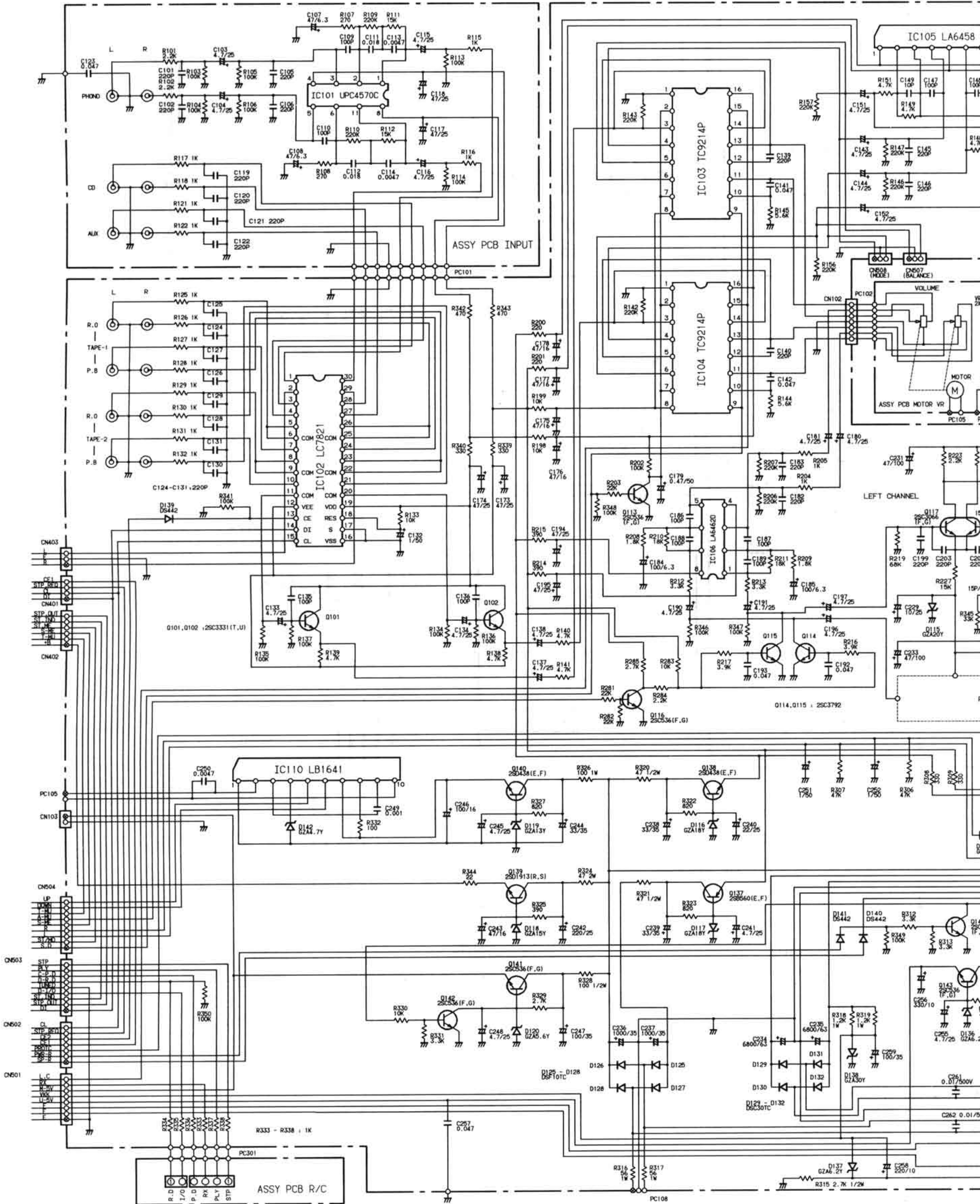
REFERENCE No. WM-570409

# SCHEMATIC DIAGRAM

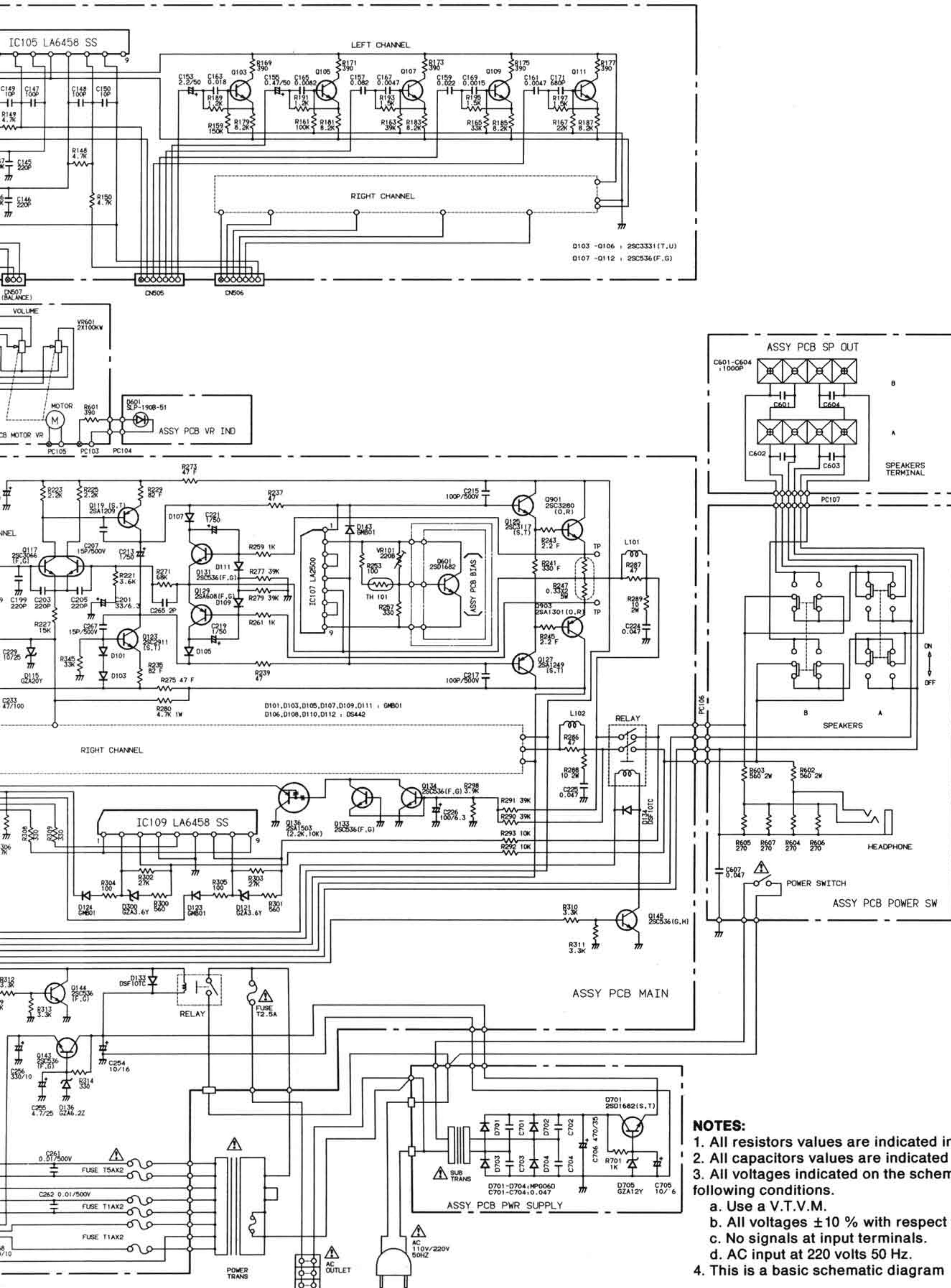


# DIAGRAM (1)



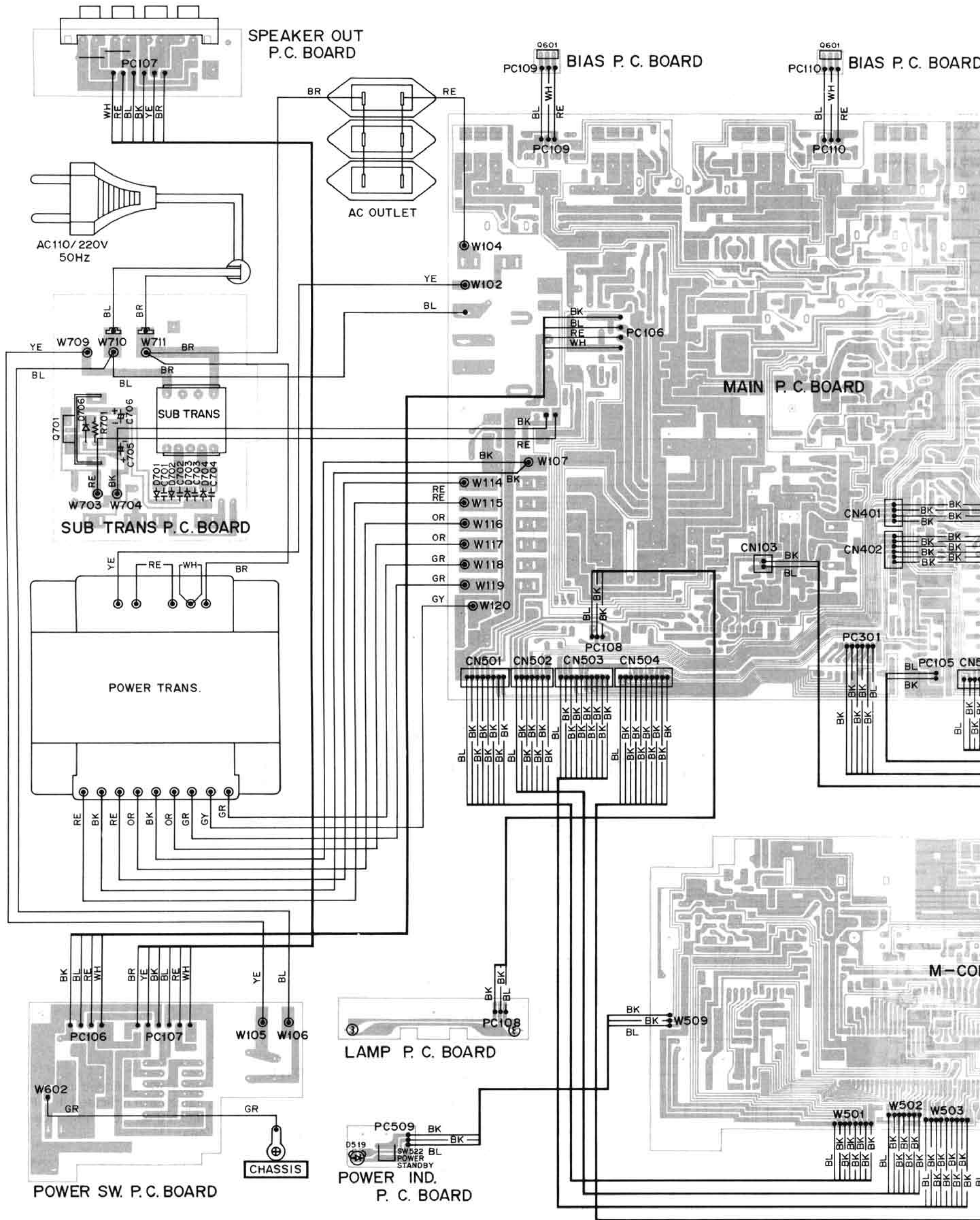


# SCHEMATIC DIAGRAM (2)



- NOTES:**
1. All resistors values are indicated in "ohm" ( K =  $10^3$ , M =  $10^6$  ).
  2. All capacitors values are indicated in " $\mu$ F" ( P =  $10^{-12}$  ).
  3. All voltages indicated on the schematics are measured under the following conditions.
    - a. Use a V.T.V.M.
    - b. All voltages  $\pm 10\%$  with respect to chassis ground.
    - c. No signals at input terminals.
    - d. AC input at 220 volts 50 Hz.
  4. This is a basic schematic diagram

# POINT TO POINT WIRING D



# WIRING DIAGRAM

P. C. BOARD

